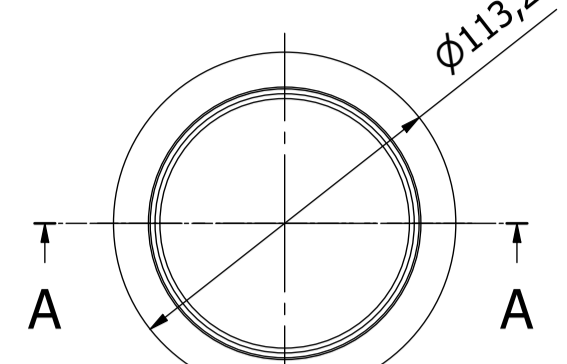
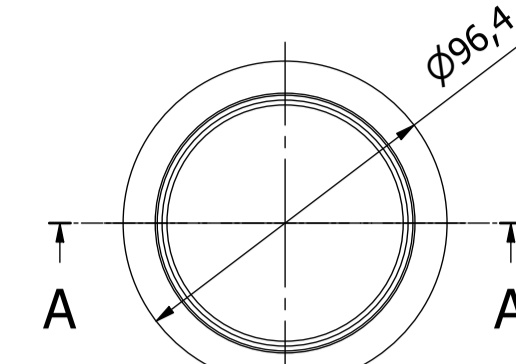
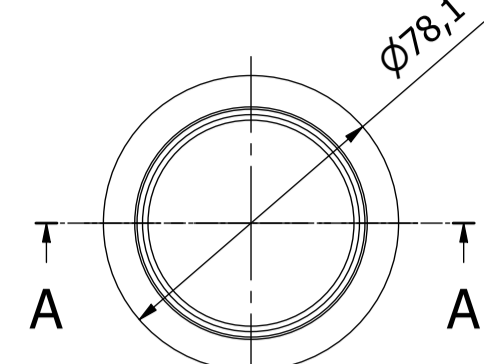
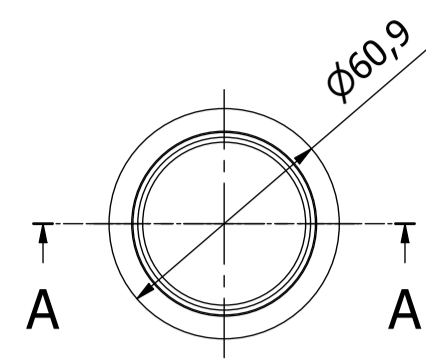
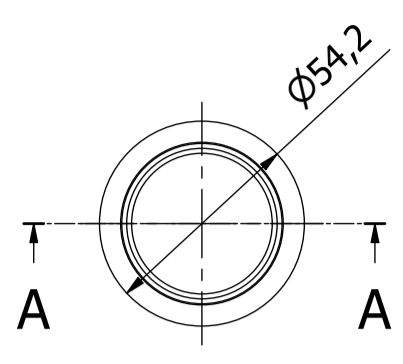


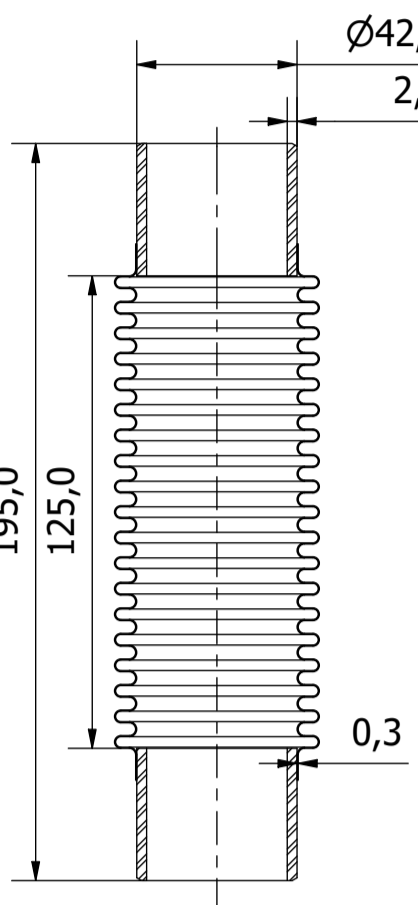
TECHNOLOGY HOLLAND™

20-10-10 | MARI Type 1 Stainless Steel Expansion Joints (buttweld ends)

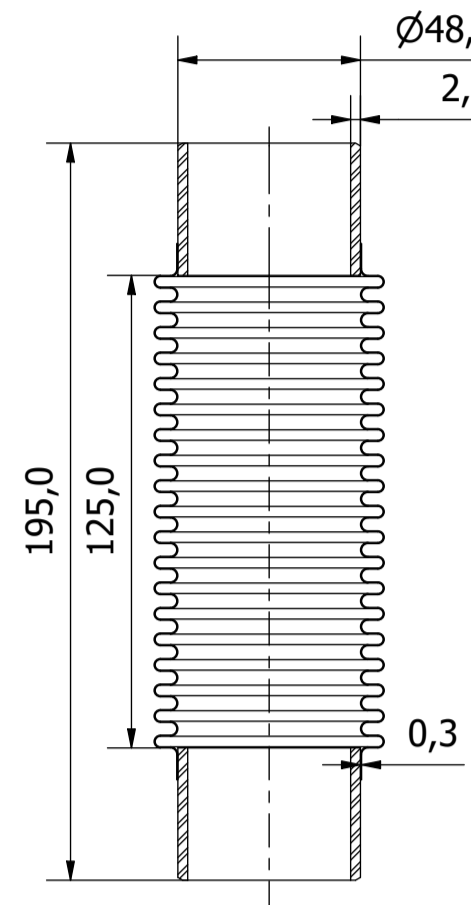
Version 1.0 | Specifications are subject to change without prior notice.
© Copyright 2020, MARI Technology Holland B.V., The Netherlands. All rights reserved.



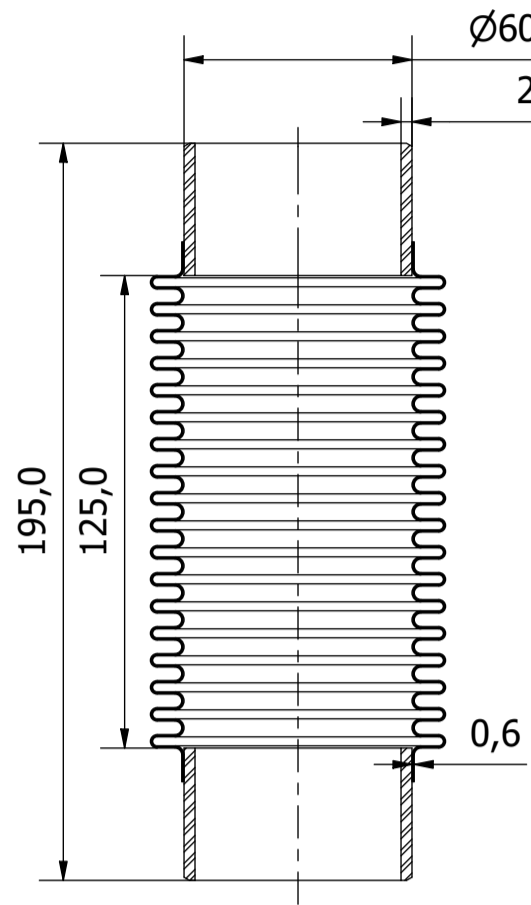
2010100032
A-A DN32



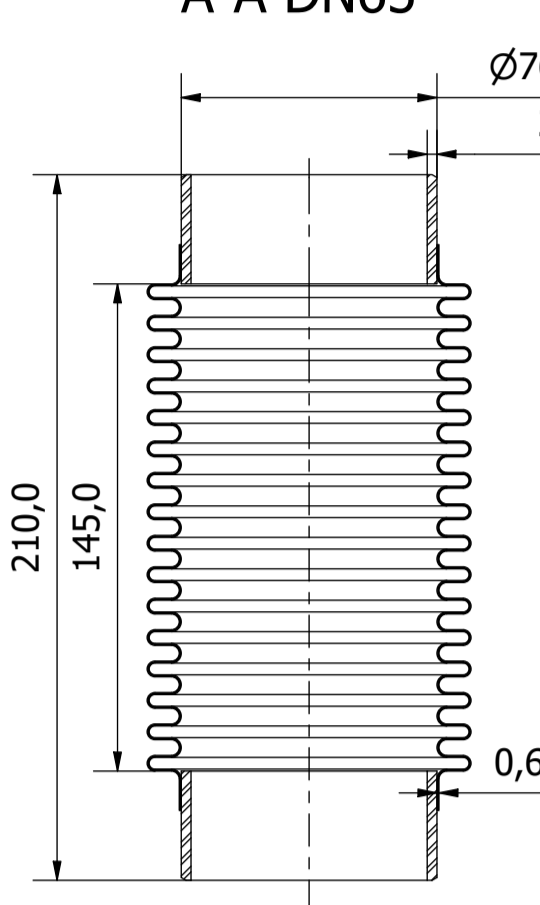
2010100040
A-A DN40



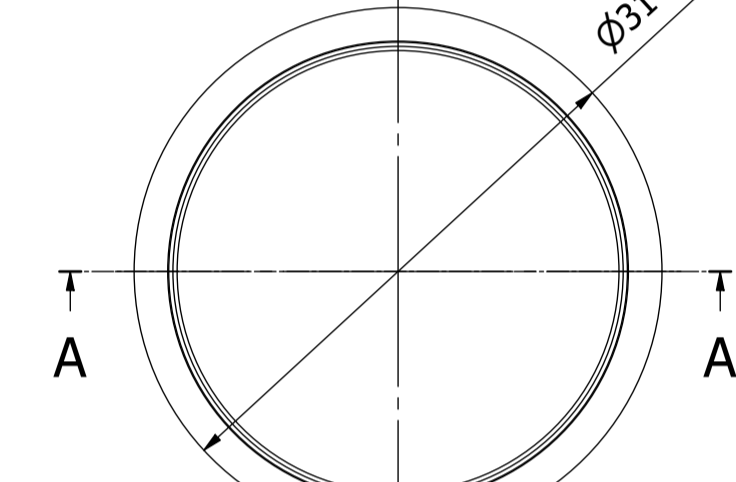
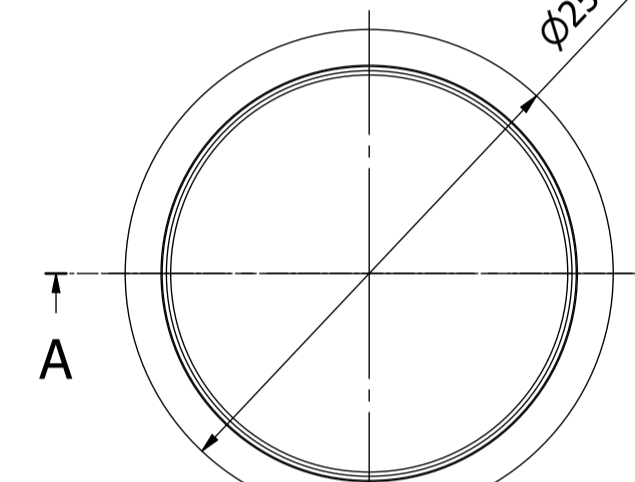
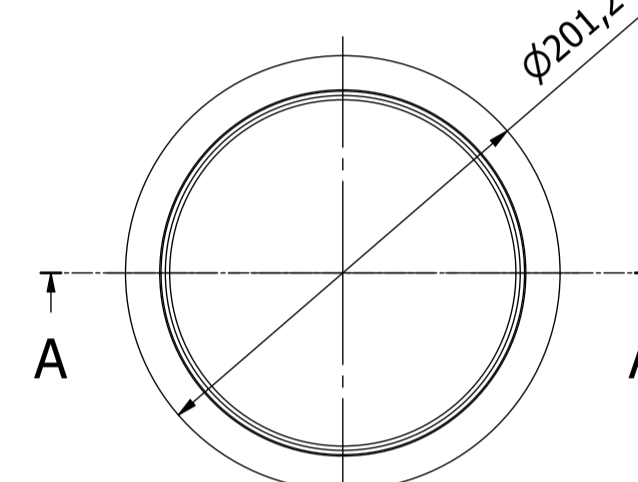
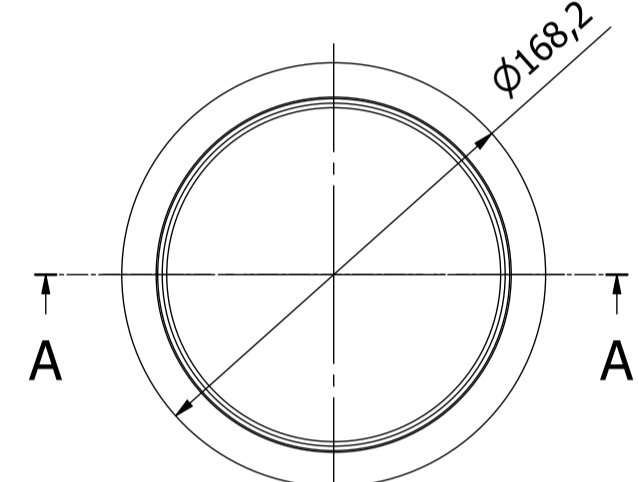
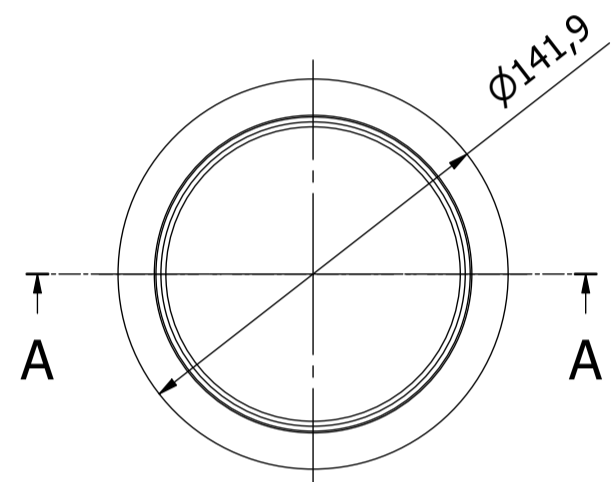
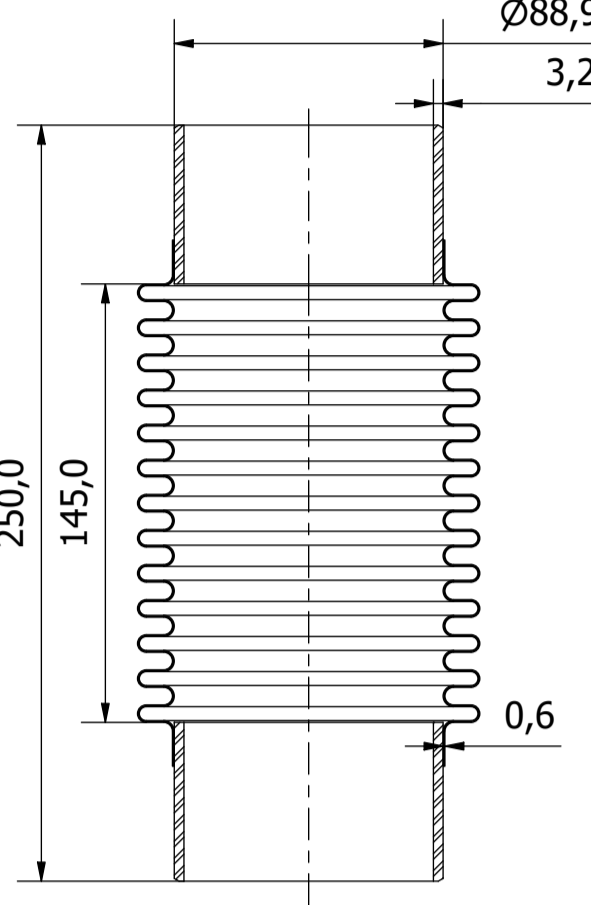
2010100050
A-A DN50



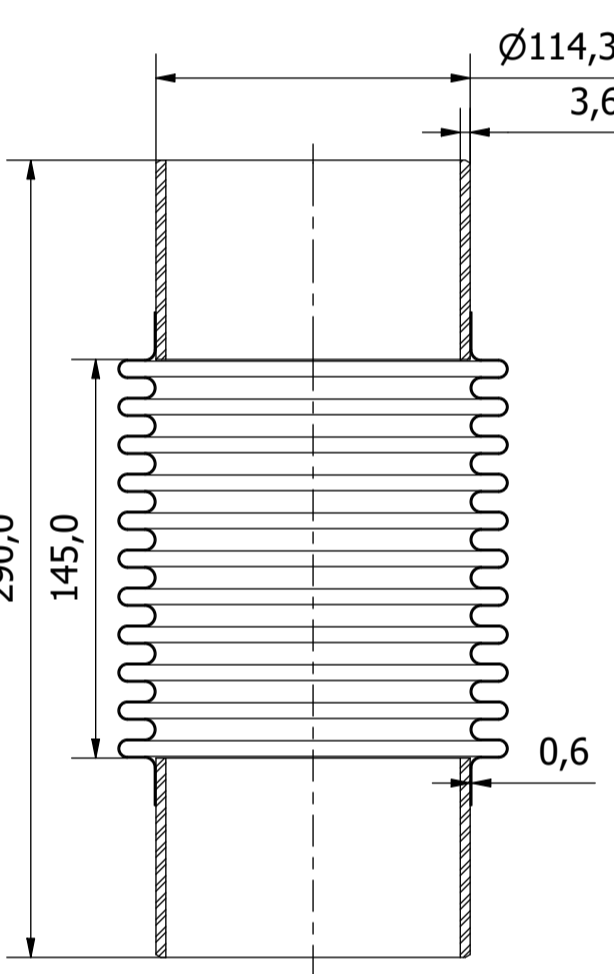
2010100065
A-A DN65



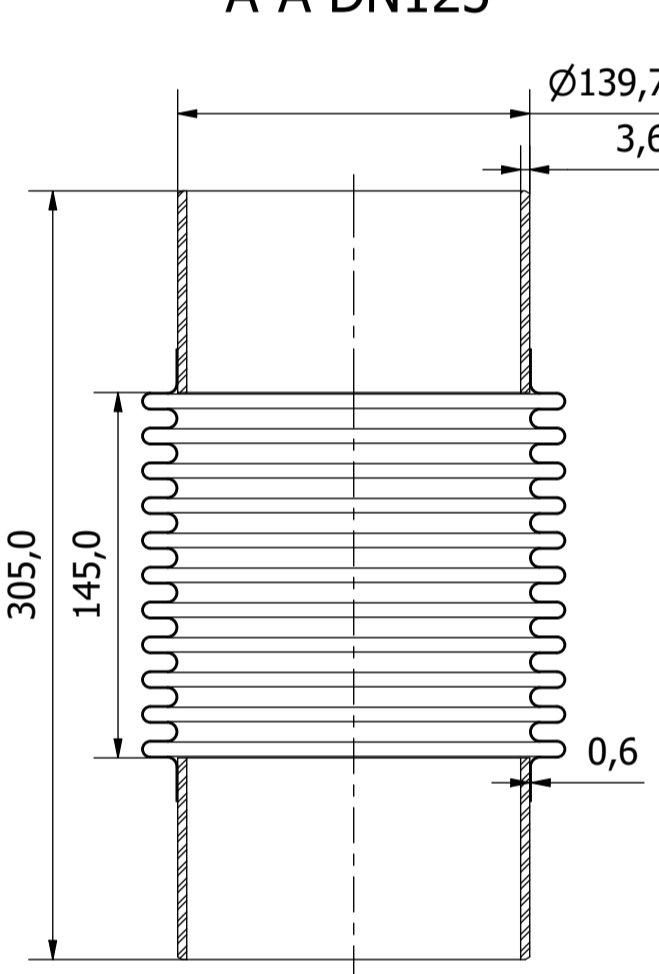
2010100080
A-A DN80



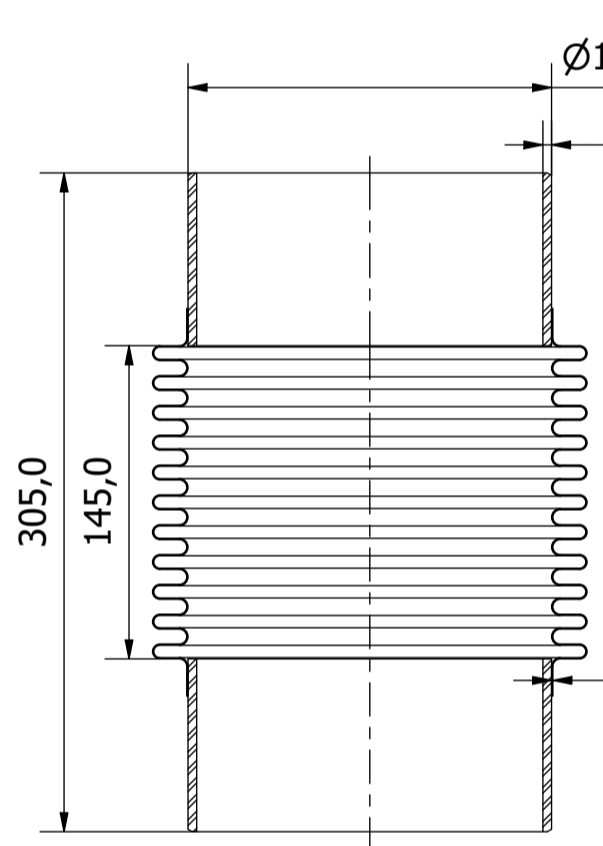
2010100100
A-A DN100



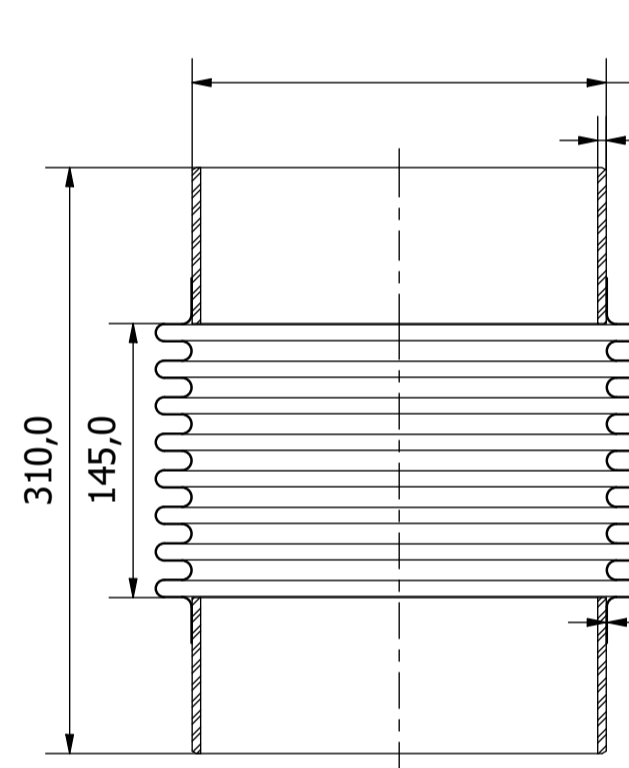
2010100125
A-A DN125



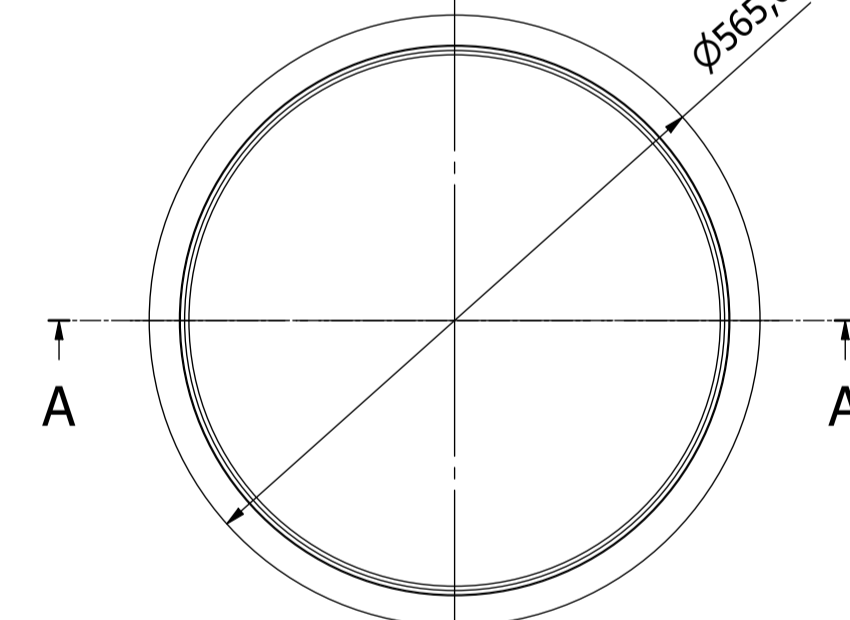
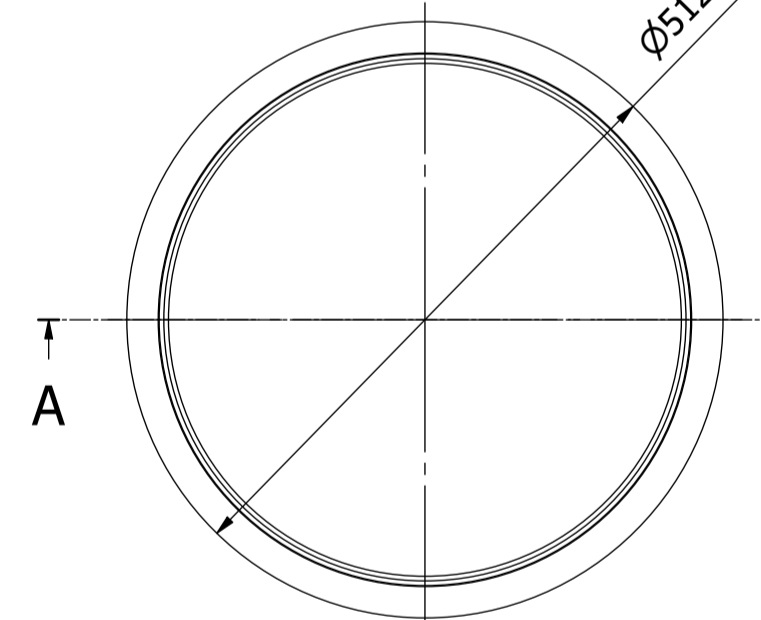
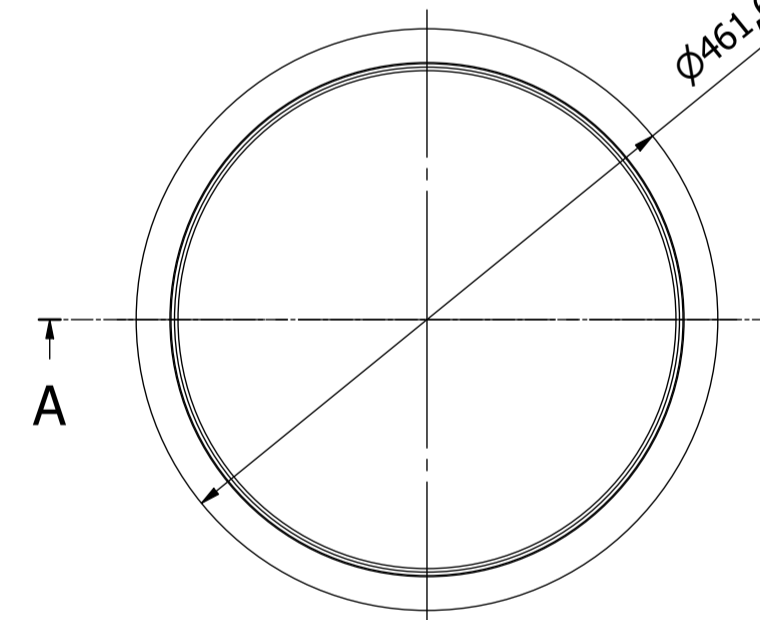
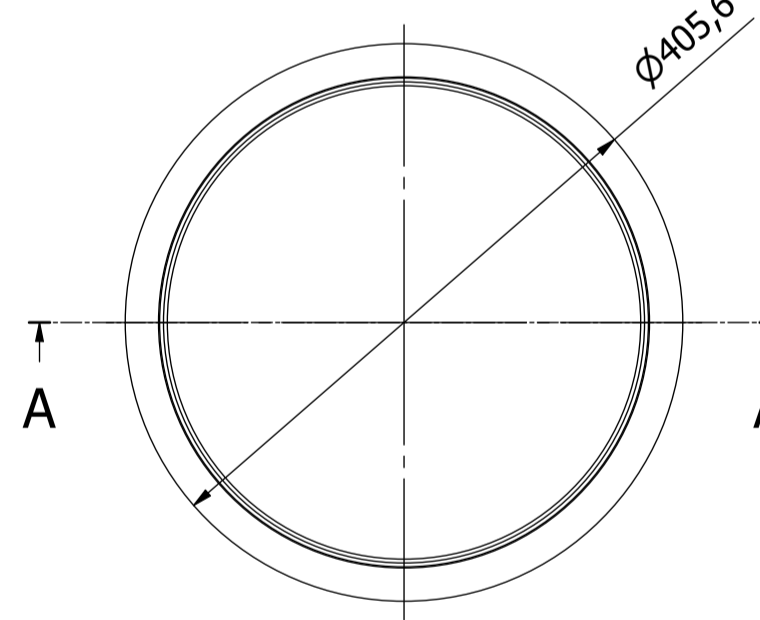
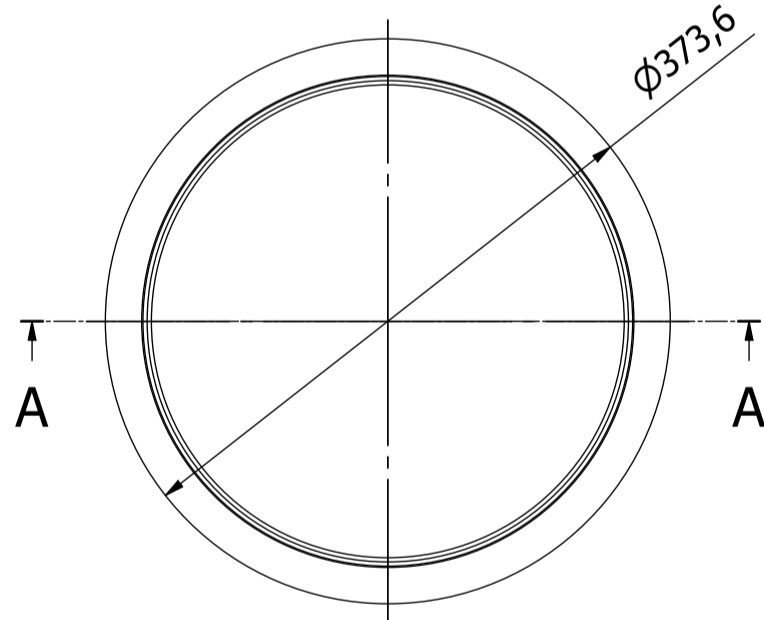
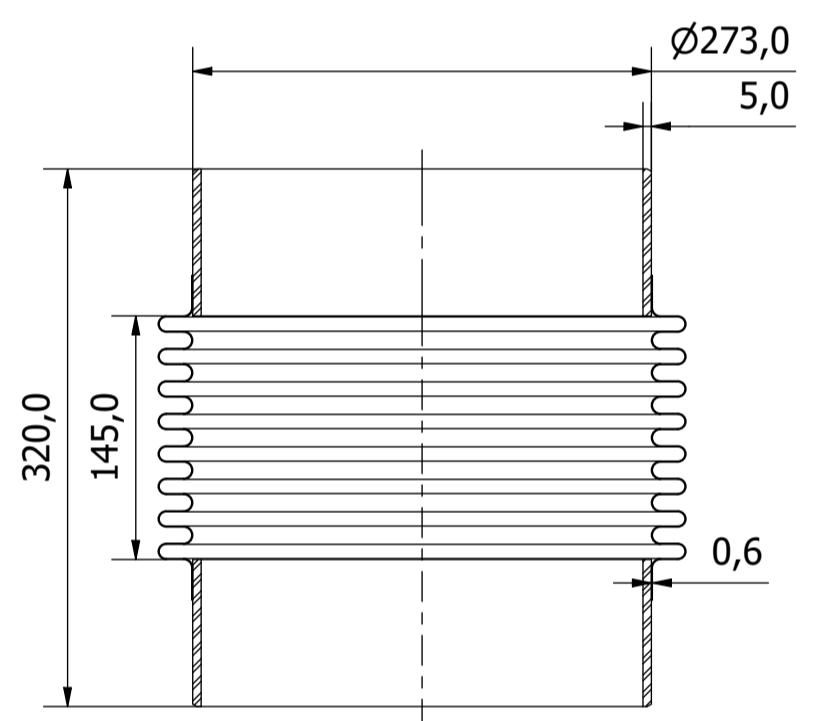
2010100150
A-A DN150



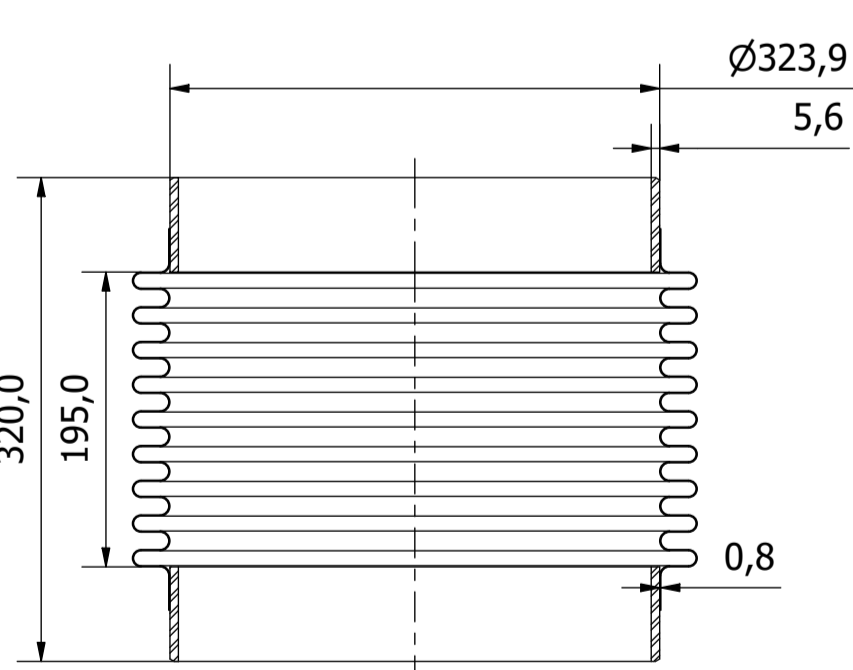
2010100200
A-A DN200



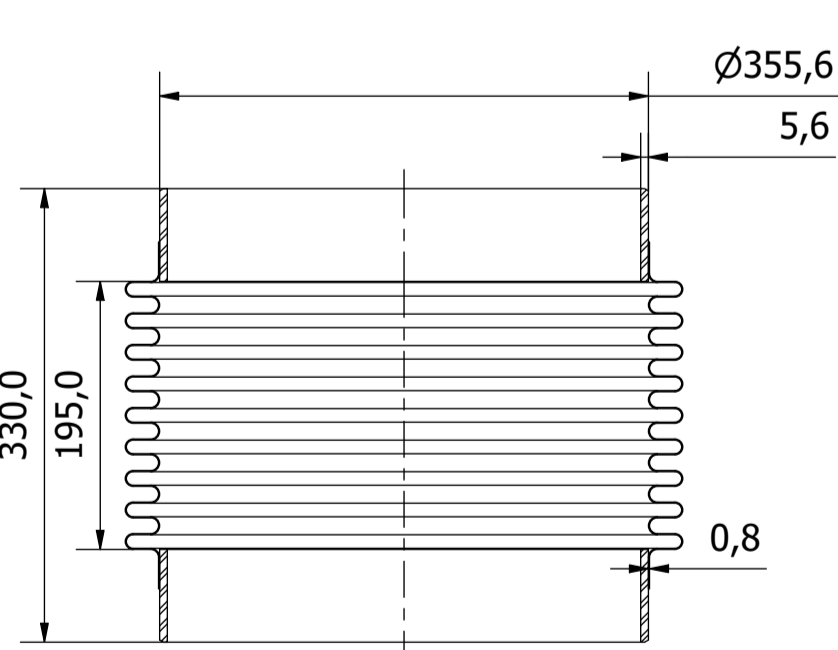
2010100250
A-A DN250



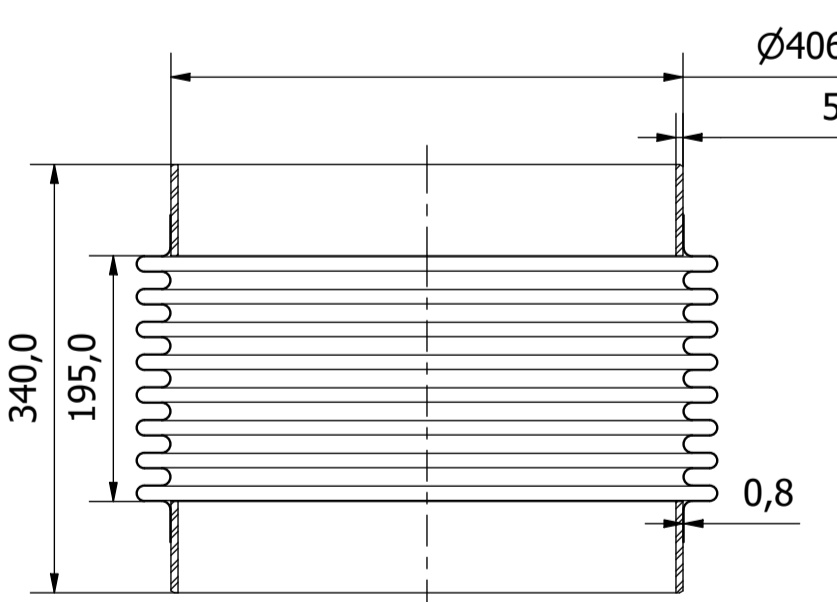
2010100300
A-A DN300



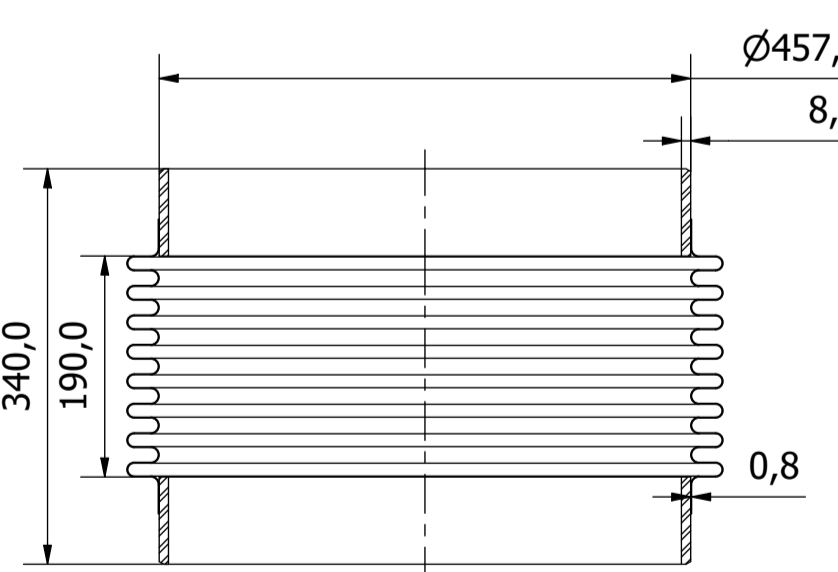
2010100350
A-A DN350



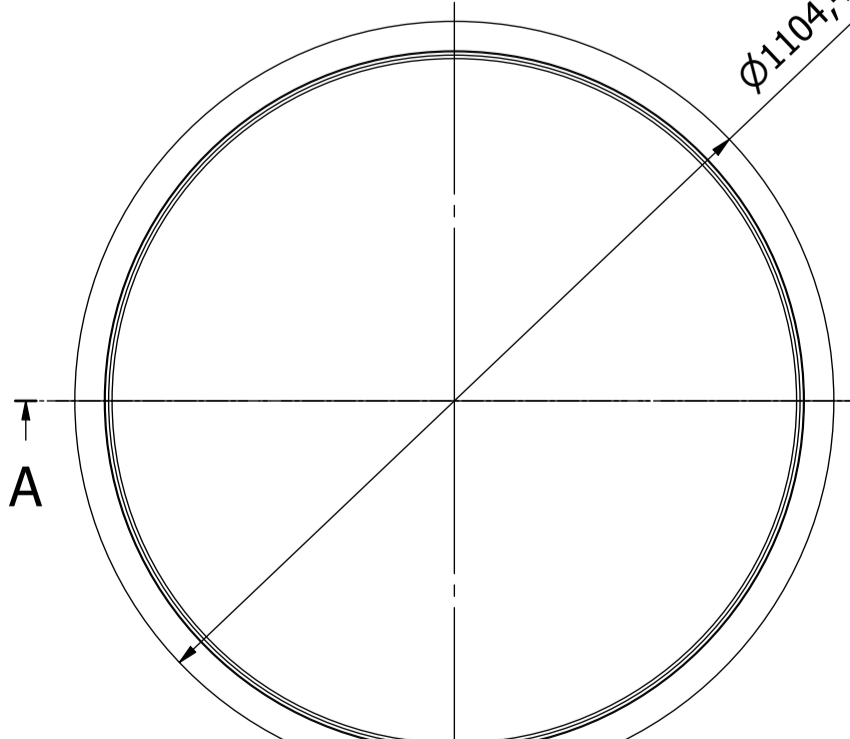
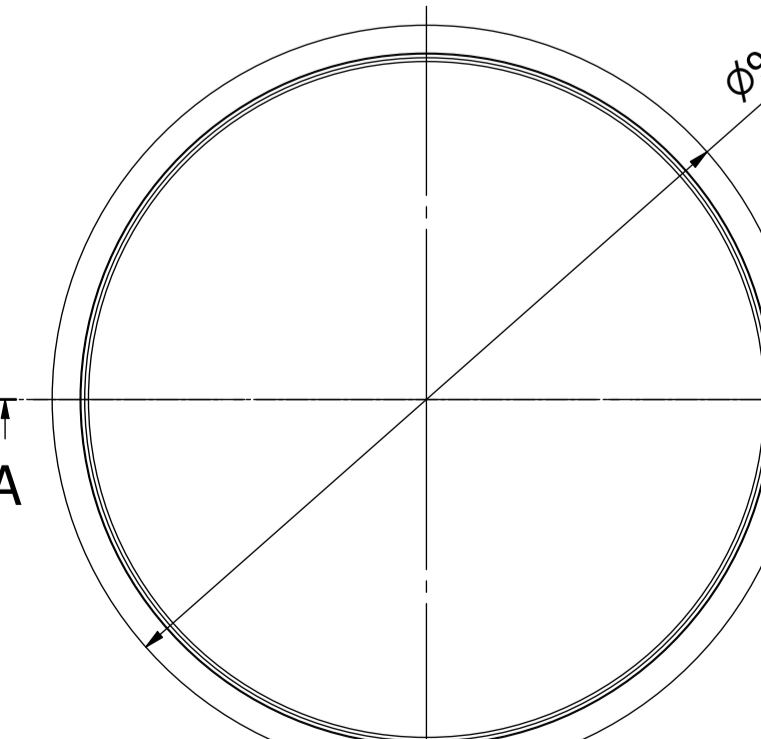
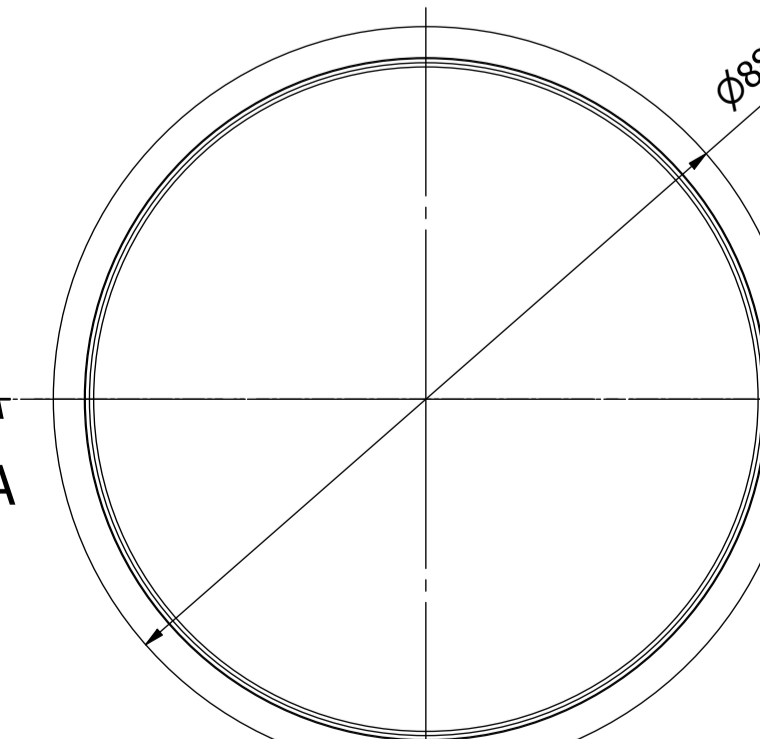
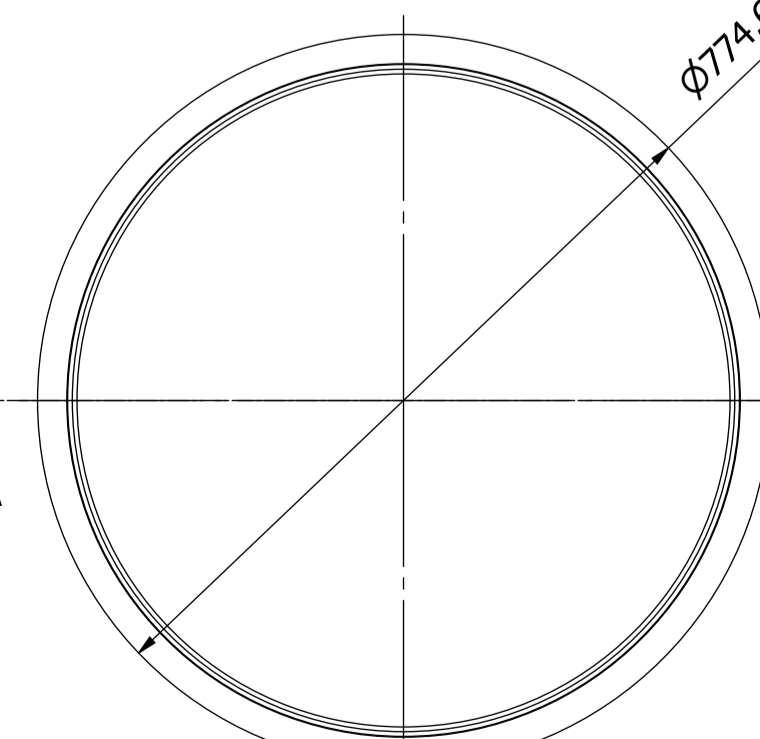
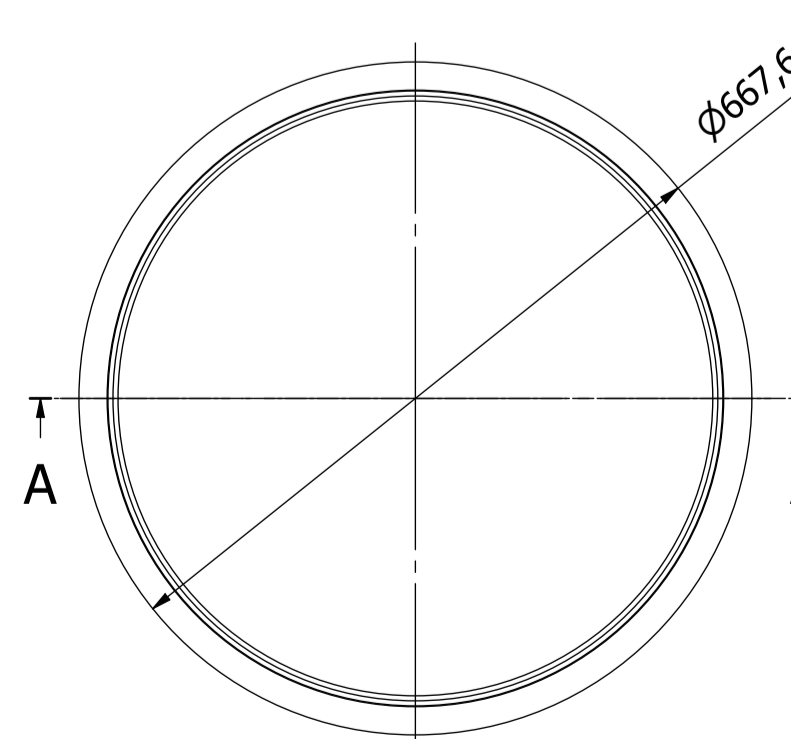
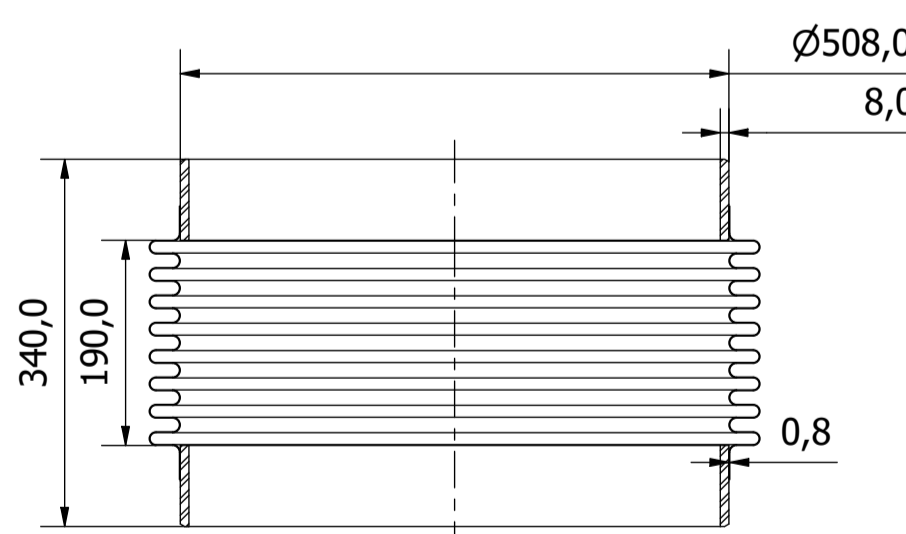
2010100400
A-A DN400



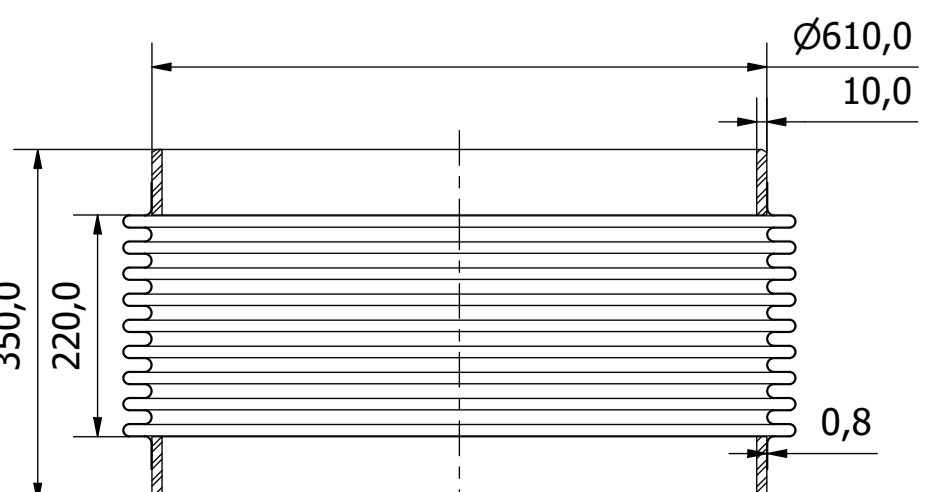
2010100450
A-A DN450



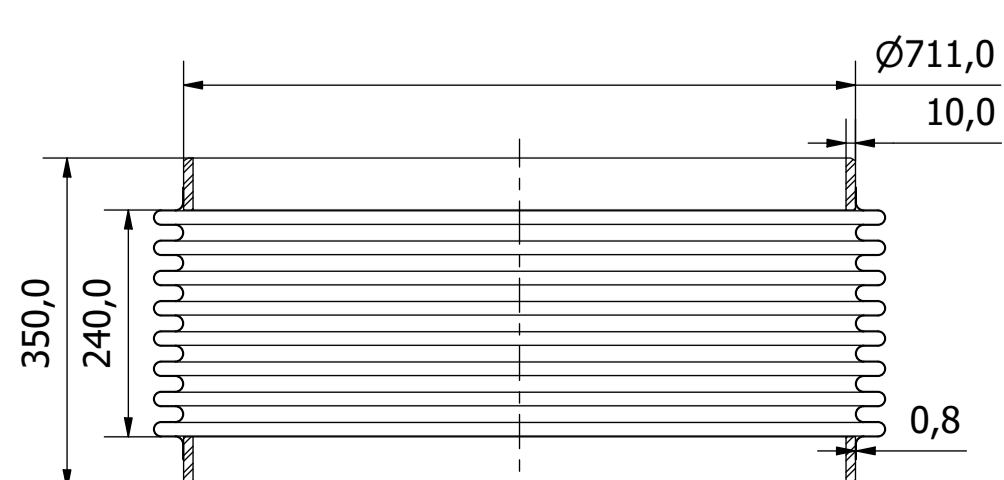
2010100500
A-A DN500



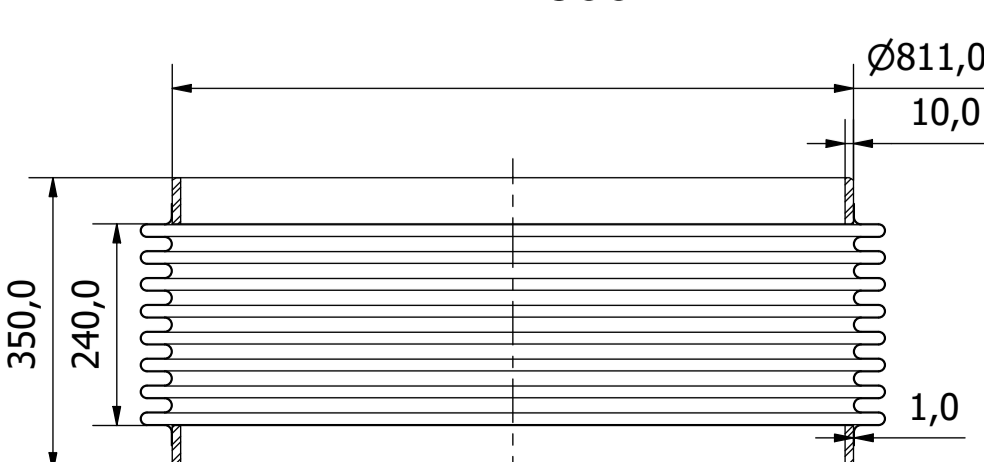
2010100600
A-A DN600



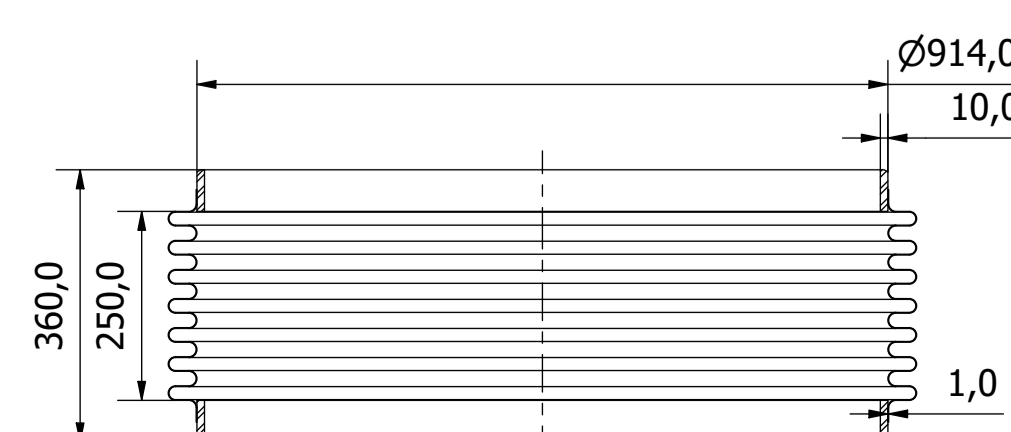
2010100700
A-A DN700



2010100800
A-A DN800



2010100900
A-A DN900



2010101000
A-A DN1000

